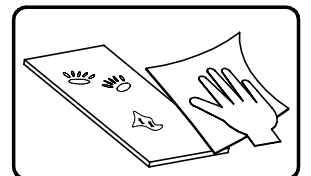
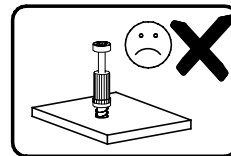
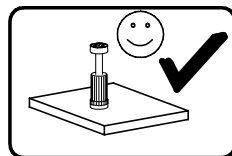
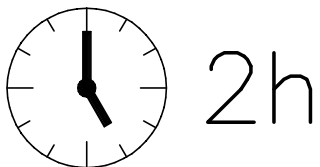
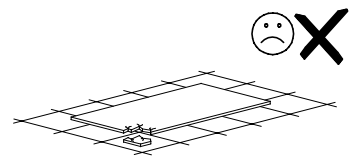
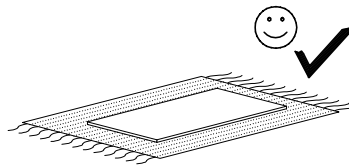
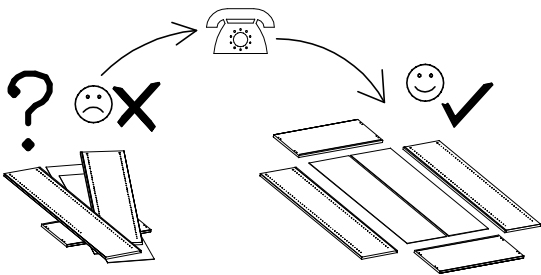
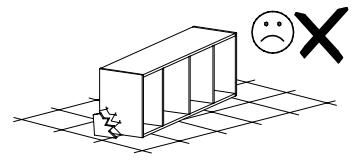
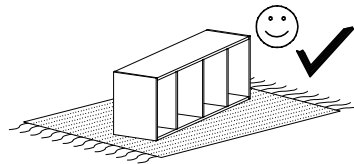
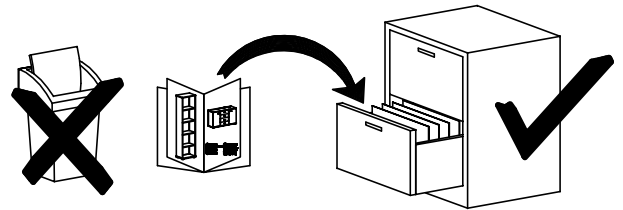
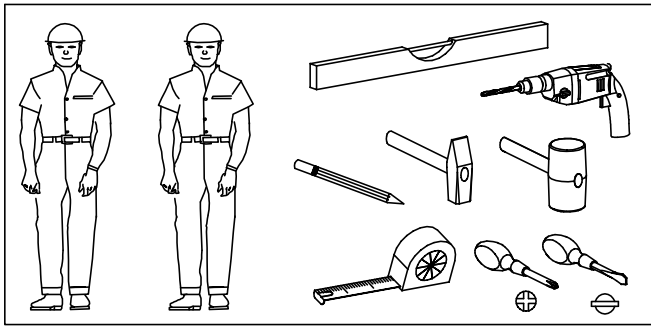
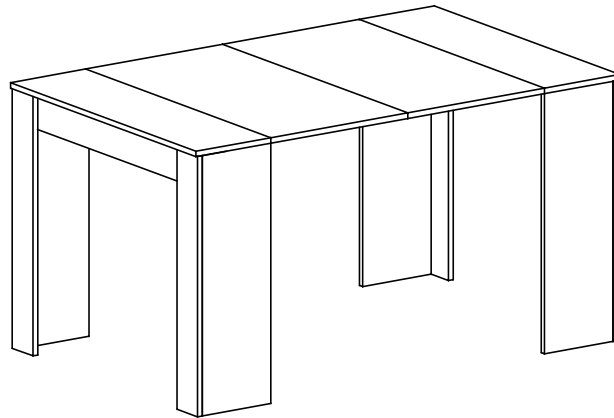
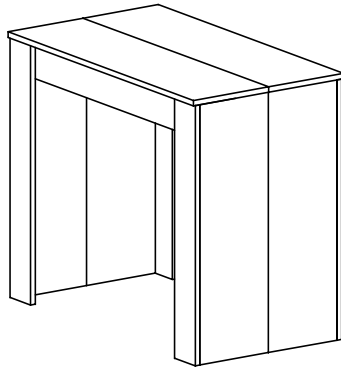
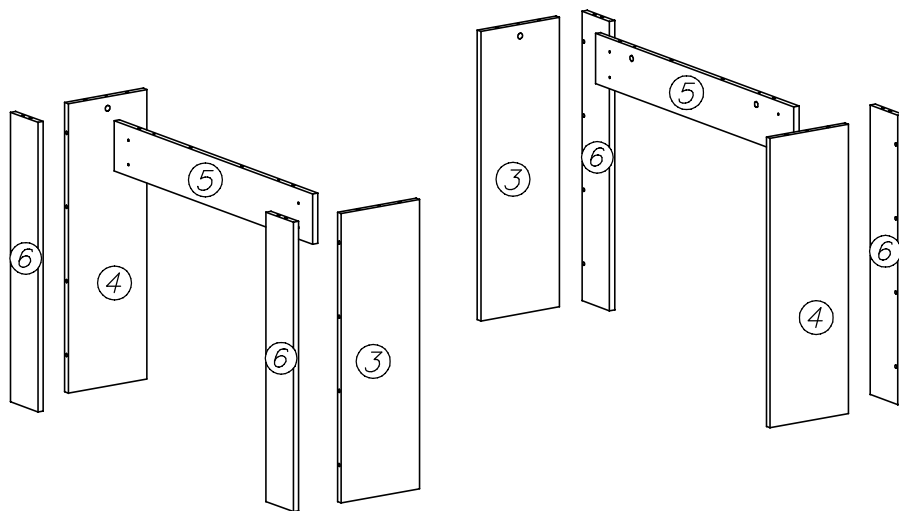
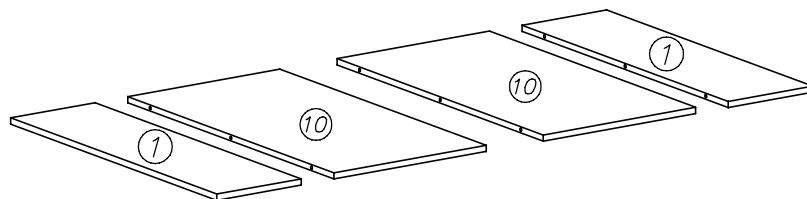
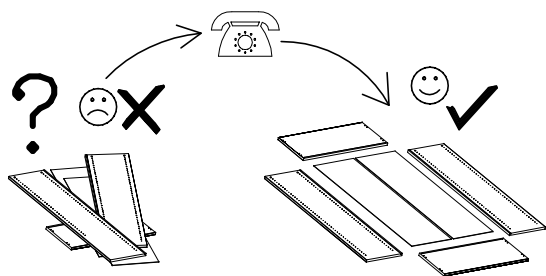
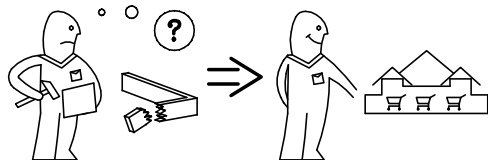
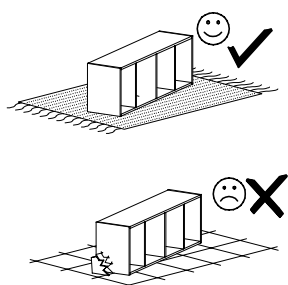


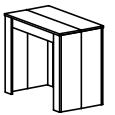
# CONSOLA 2-140





nr	L[mm]	D[mm]
1	900	258
3	750	240
4	750	240
5	860	130
6	750	120
10	900	465

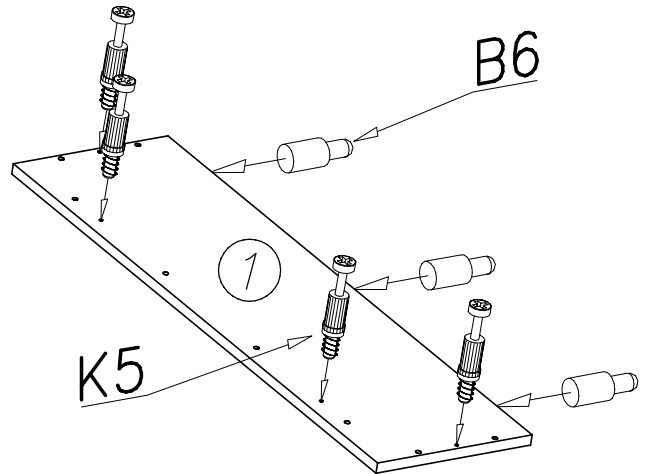
<b>G3</b>  4x30 x...(8)	<b>K1</b>  Ø15x12 x...(8)	<b>I7</b>  x...(8)	<b>W1</b>  GLUE, LEIM, LEPIDLO, LIM x...(2)	<b>P3</b>  x...(12)	<b>H20</b>  x...(1)
<b>K5</b>  x...(8)	<b>B1</b>  Ø8x35 x...(32)	<b>B5</b>  x...(9)	<b>B6</b>  x...(9)	<b>G4</b>  4x16 x...(12)	



I

1x

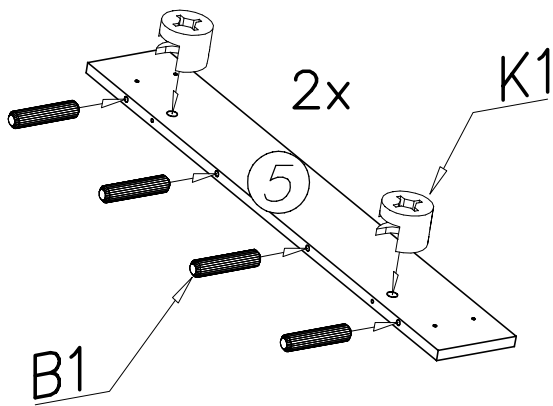
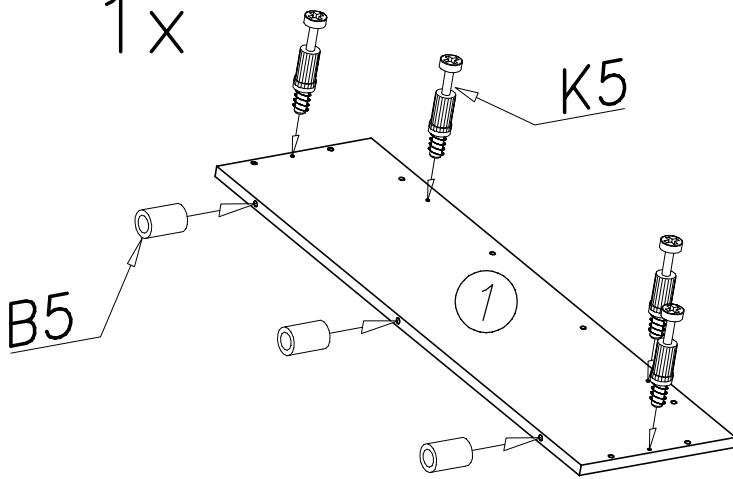
B6



1x

K5

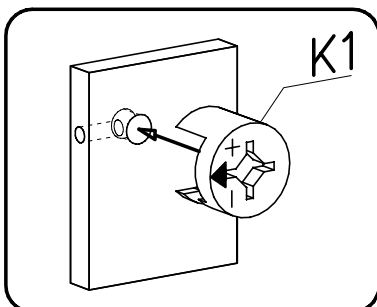
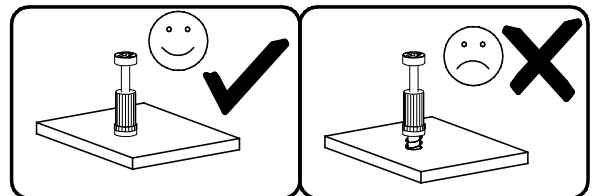
B5



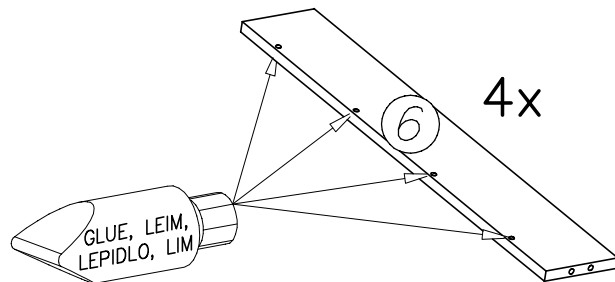
2x

K1

B1



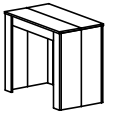
K1



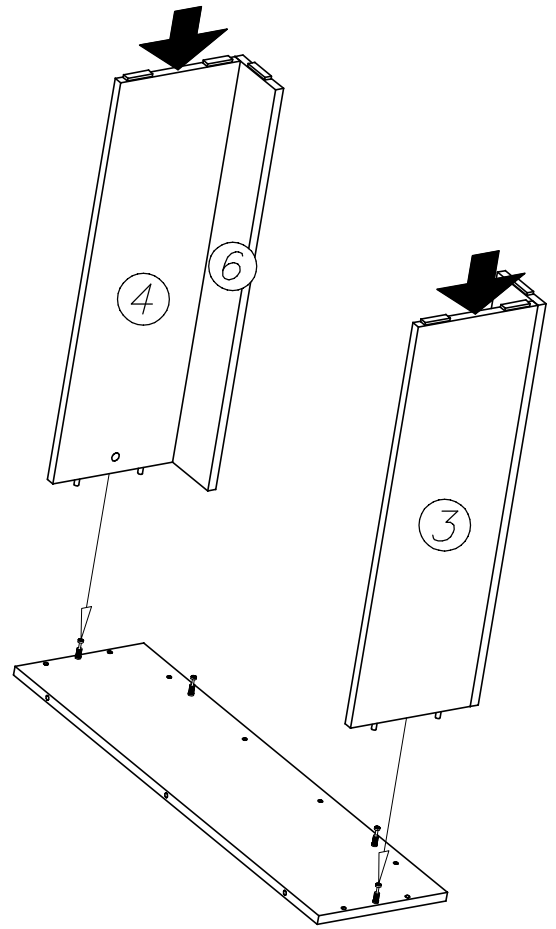
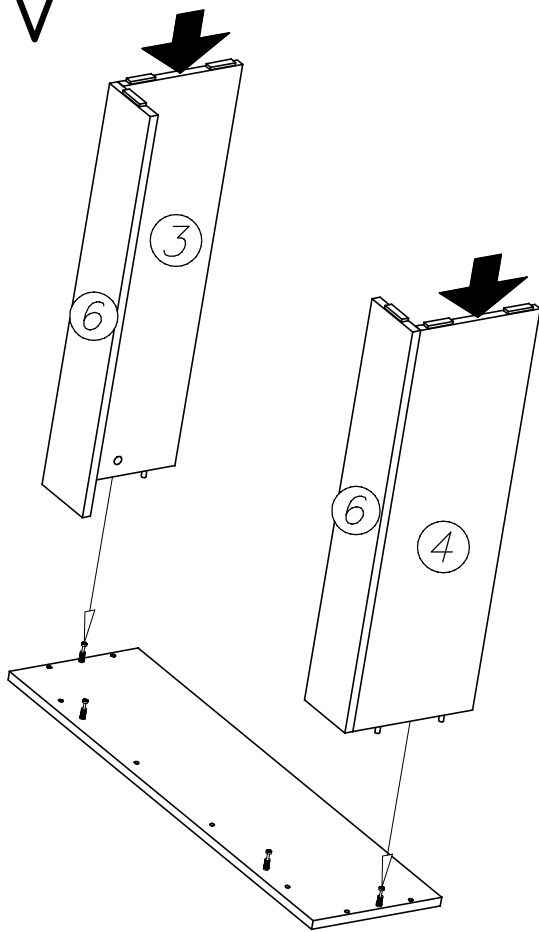
4x

GLUE, LEIM,  
LEPIDLO, LIM

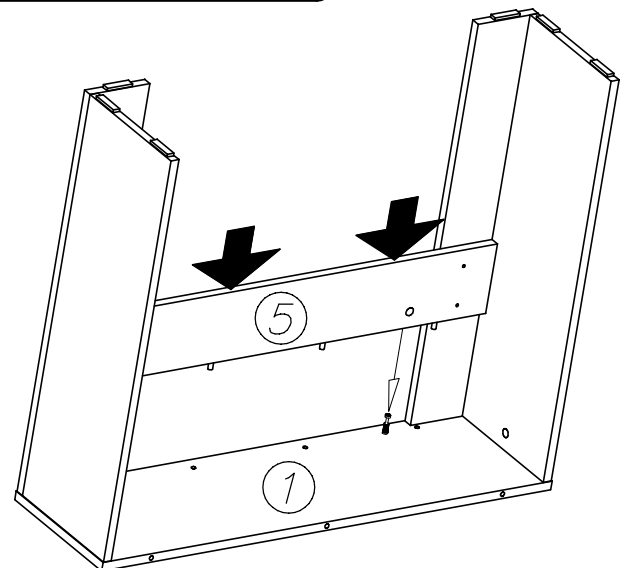
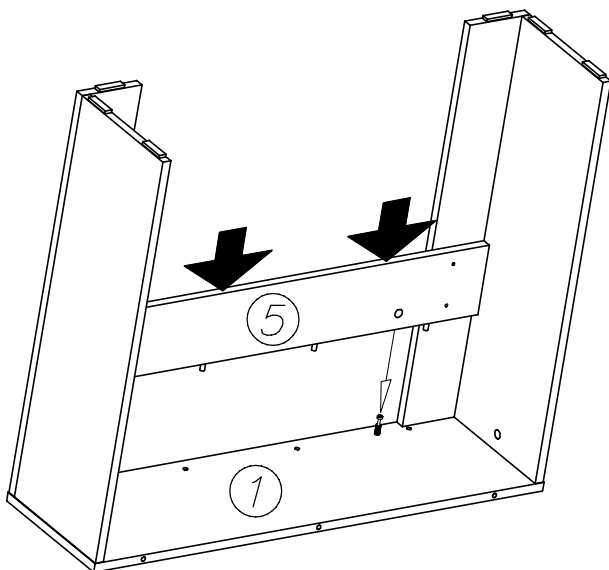
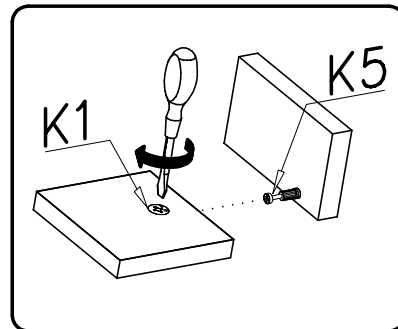


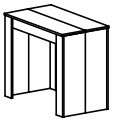


IV

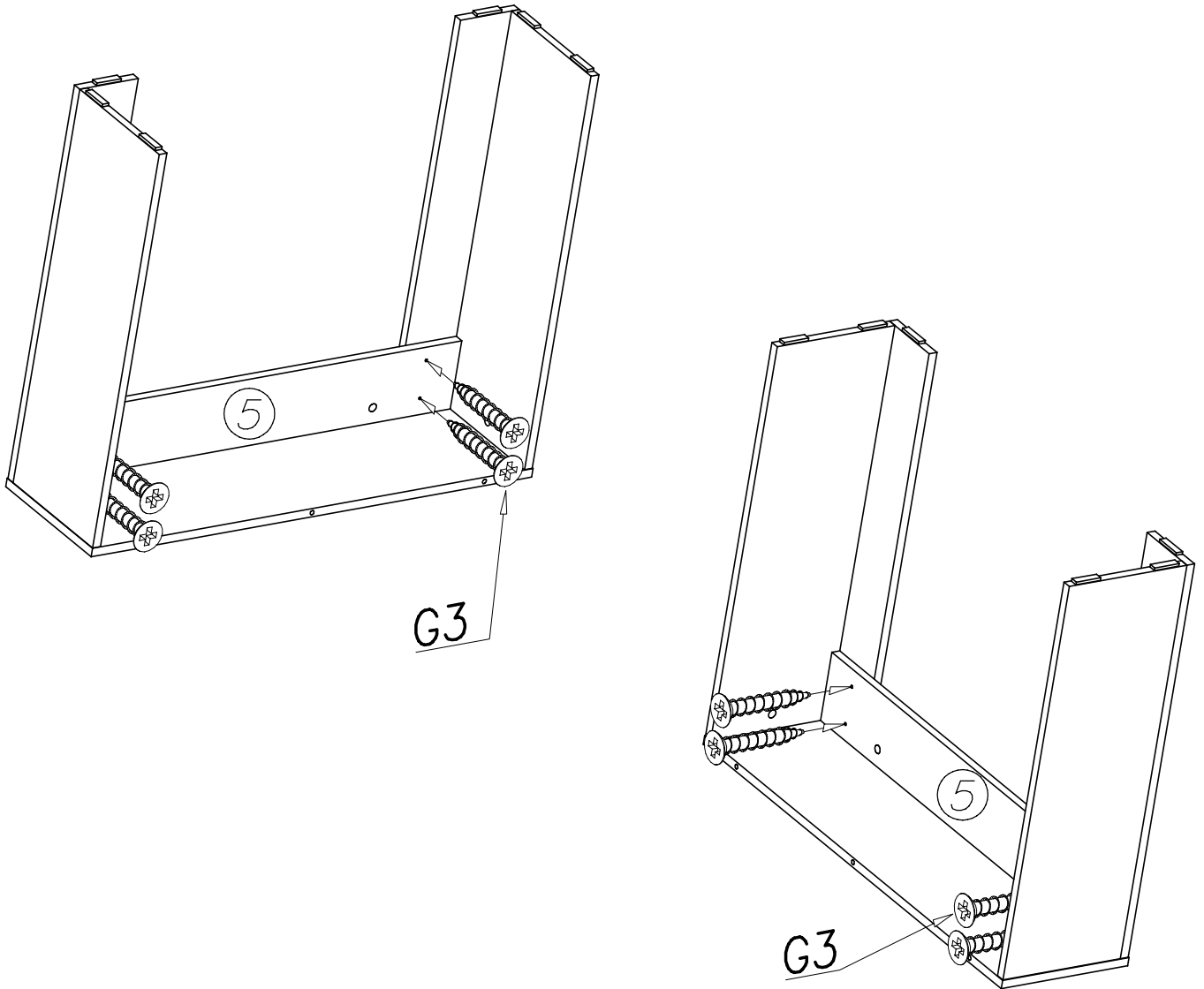


V

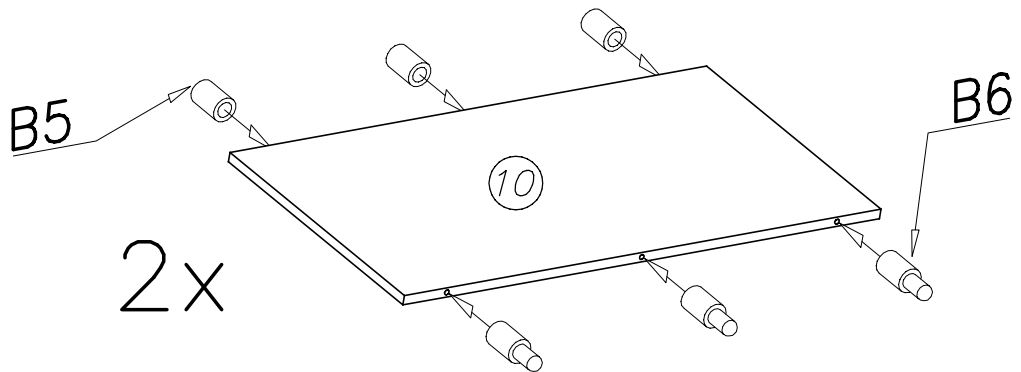


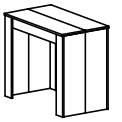


VI

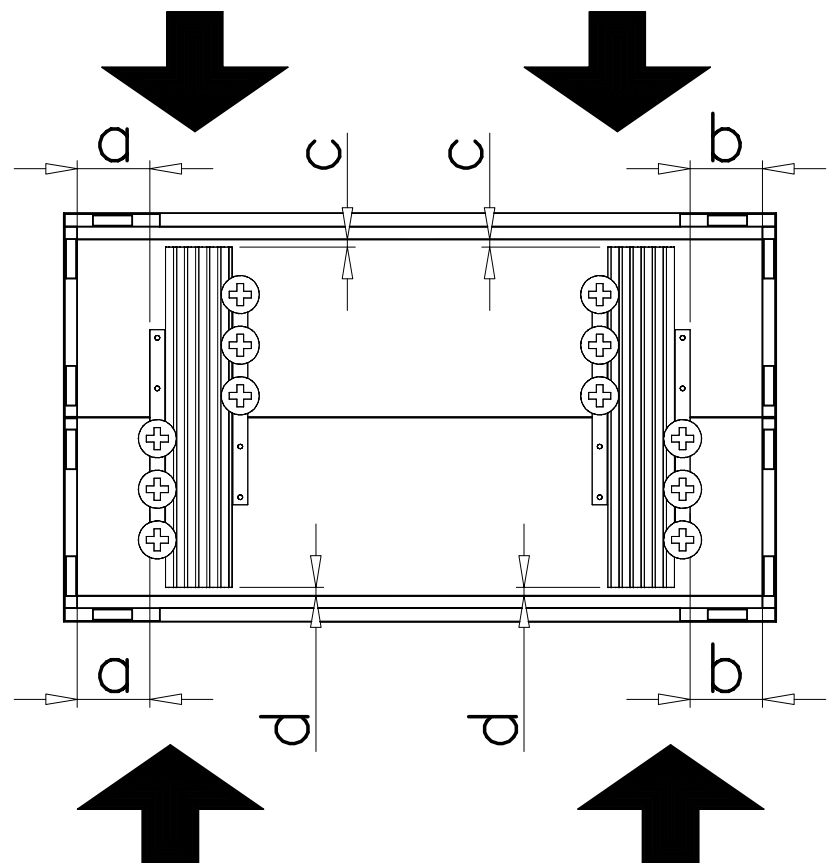
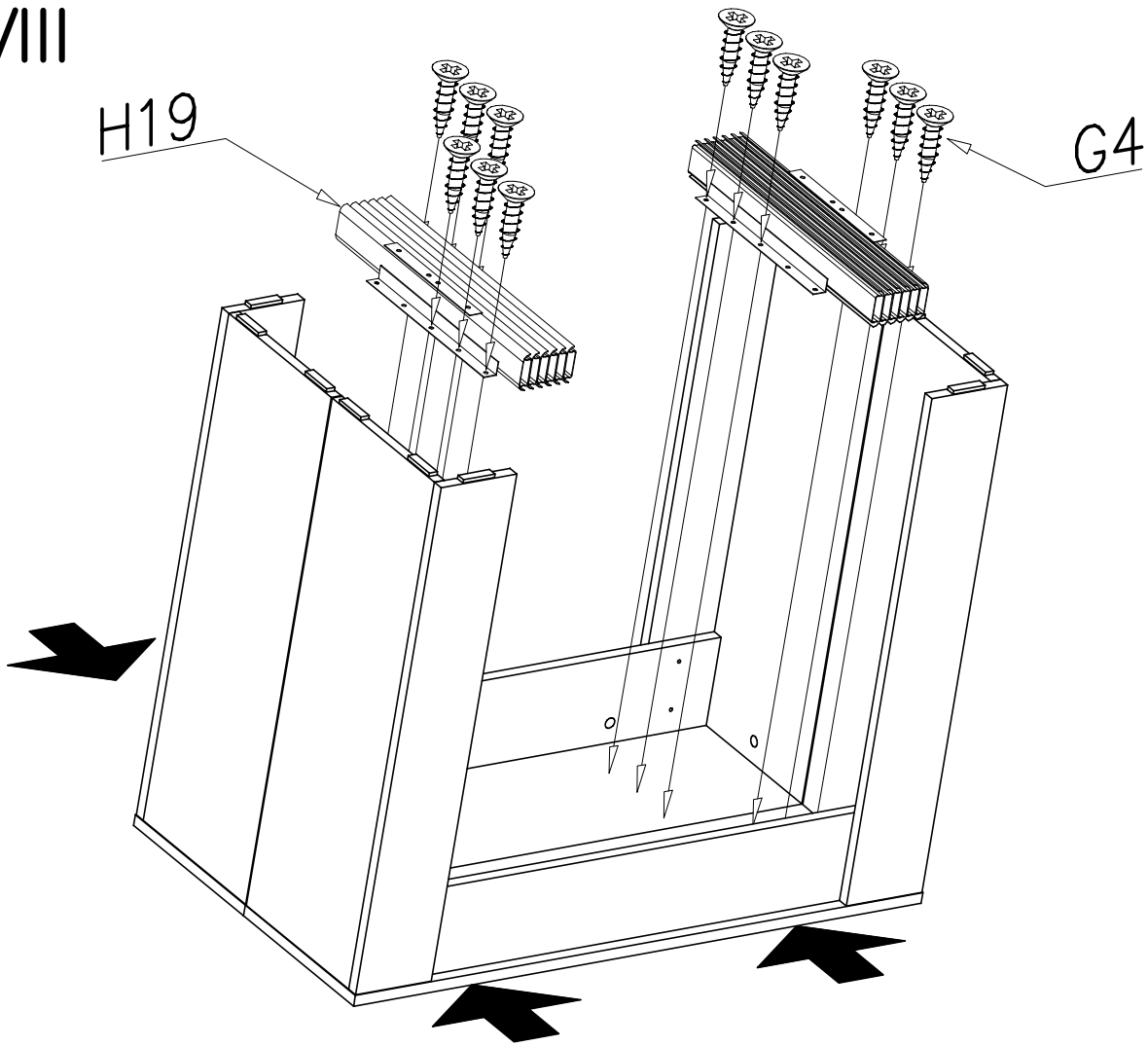


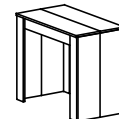
VII



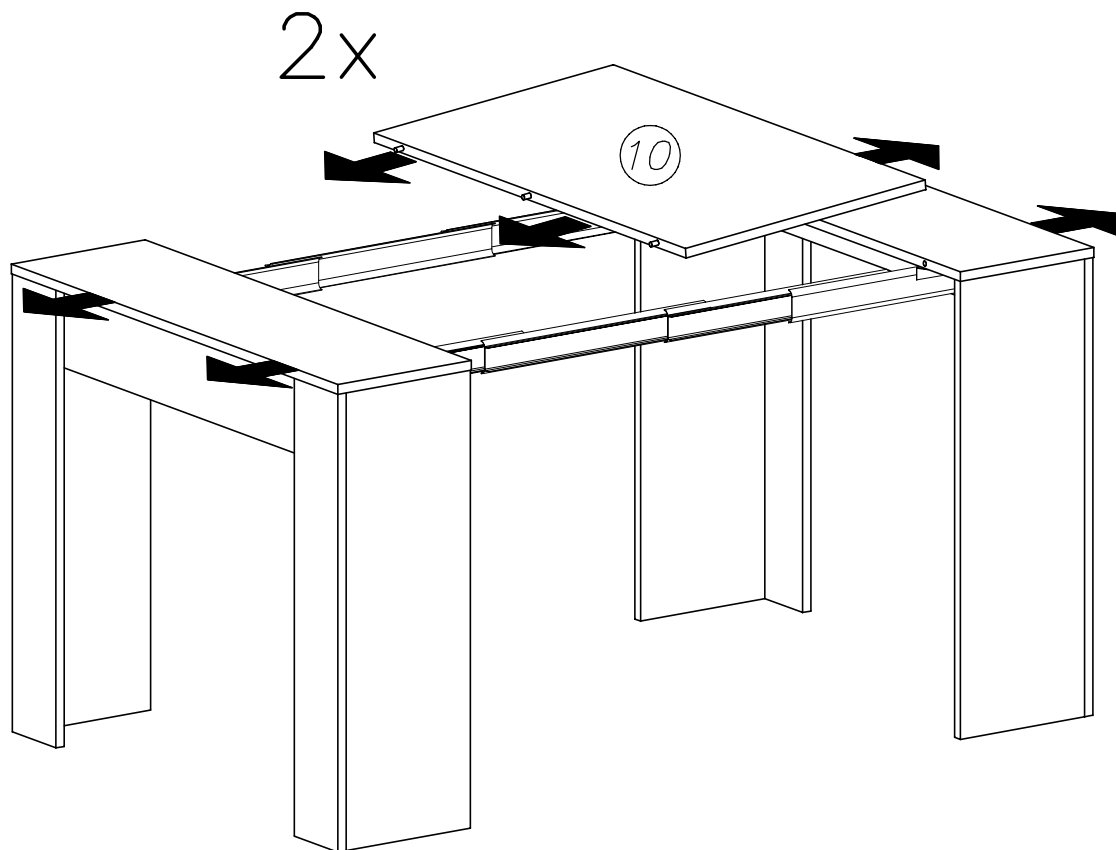


VIII





## IX



## X

